

# FLXE 118 LED

LED

IP 66



## CONSTRUCTION

Housing: aluminium powder painted casting

Diffuser: borosilicate glass tube,

Gasket: silicon

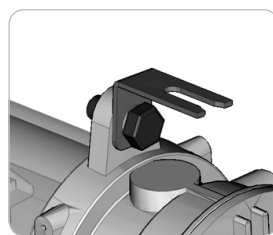
The light fitting is normally supplied with two entries M20 and wall/sealing mounting set

## TECHNICAL DATA

<b>Certificate:</b>	EXA 15 ATEX 0001X EAC RU C-HR.AB24.B.03252
<b>Marking:</b>	CE 0722
<b>Apparatus category:</b>	II 2G II 2D
<b>Marking of explosion protection:</b>	Ex d e IIC T6 Gb Ex tb IIIC T80°C Db
<b>Ambient temperature:</b>	-20°C ≤ T <sub>a</sub> ≤ +40°C / +50°C
<b>Degree of protection:</b>	IP 66 category 1
<b>Resistance to shock:</b>	IK 08
<b>Protection class :</b>	I (protective earthing)
<b>Rated voltage:</b>	220-240 V 110V on request
<b>Frequency:</b>	50Hz / 60Hz
<b>Rated power:</b>	2x 1,2W
<b>Connecting terminals:</b>	L1, L2, L3, N; max. 2 x 2,5 mm <sup>2</sup> PE terminal ; max 2x6mm <sup>2</sup> External PA terminal -PA; max 2x6mm <sup>2</sup>
<b>Cable entry:</b>	2 x M20 or 2 x 3/4"NPT or 2 x M20, with one Ex d plugs and one adapter type ADP 03/24 for cable φ6-15 mm
<b>Weight:</b>	4kg

## MOUNTING

Pendant, on pipe, wall, ceiling mounting . Operates in any position.











- Used for marking escape routes and exits in potentially explosive atmospheres.
- Self-test, monitoring and diagnostics reduce costly maintenance checks.
- >3h autonomy
- Maintained / Non maintained operation
- Possibility of supplies with DALI compatible ballast
- Ni-MH 3,6V/2.2Ah, build in light fitting, microprocessor controlled charging, discharging and control of battery

# Emergency LED light fitting

## MODEL CODE

### FLXE 118 LED

#### Pictogram According with DIN 4844-2

0	Without	5	
1		6	
2		7	
3		8	
4			

#### Cable entry:

- 0 ... Ex d cable entry 2 x M20x1,5, ISO 965-1, ISO 965-3
- 1 ... Ex d cable entry 2 x 3/4"NPT, ANSI/ASME B1.20.1
- 2 ... Ex de adapter ADP 24 (for cable 6-15mm)
- 3 ... 2x Ex de adapters ADP 24 (for cable 6-15mm) through wiring

#### Rated voltage:

- 0 ... 24 V AC/DC
- 1 ... 60 V AC/DC
- 2 ... 110 - 127 V AC/DC
- 3 ... 220 - 240 V AC/DC

The lamp can operate with two types of connection:

#### a) Maintained (Dauerschaltung)

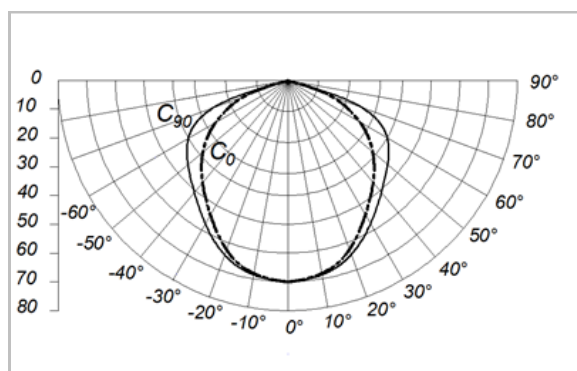
The light fitting can be used for general and orientation lighting with mains power supply via L' (installation switch). In case of voltage drop or an interruption in the mains power supply L, the light fitting will continue to operate in battery-powered mode, regardless of the status of installation switch L' (ON/OFF).

#### b) Non maintained (Bereitschaftschaltung)

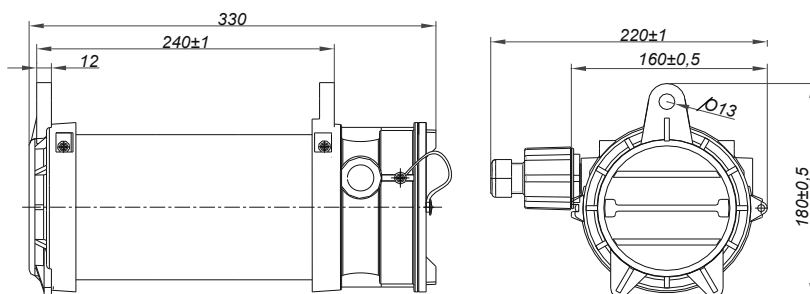
In case of voltage drop or an interruption in the mains power supply L, the light fitting will operate only in battery-powered mode.

In both types of the connection in the presence of continuous phase L, it is possible to verify the correctness of the emergency system by turning on the switch in the TEST circuit.


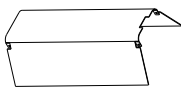
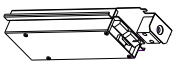

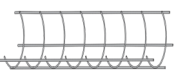

## ISOCANDELA CURVE [l/cd]



## DIMENSION DRAWING



## SPARE PARTS AND ACCESSORIES

SKETCH	DESCRIPTION	CODE	SKETCH	DESCRIPTION	CODE
	Cover gasket FLX	FLX 10-120		External reflector FLX	FLX LED 20-150
	Base plate FLXE	FLXE 10-130		FLX Wall / ceiling mounting set	FLX 20-170
	Protective grid FLXE set	FLXE 20-140		FLX Pipe mounting set	FLX 20-180

All technical data is relevant at the time of print.