



CoreLine Panel

RC132V LED36S/840 PSU W60L60 NOC

LED Module, system flux 3600 lm - 840 neutral white - Power supply unit

Whether for a new building or renovation of an existing space, customers want lighting solutions that provide quality of light and substantial energy and maintenance savings. The new CoreLine Panel range of LED products can be used to replace functional luminaires in general lighting applications. Both Non-Office Compliant (NOC) version and Office Compliant version (OC) are now available. The process of selecting, installing and maintaining is so easy – it's a simple switch.

Product data

General Information	
Lamp family code	LED36S [LED Module, system flux 3600 lm]
Beam angle of light source	120 °
Light source color	840 neutral white
Light source replaceable	No
Number of gear units	1 unit
Driver/power unit/transformer	Power supply unit
Driver included	Yes
Optic type	-
Luminaire light beam spread	110°
Control interface	-
Connection	Push-in connector and pull relief
Cable	Cable 0.25 m with push-in connector 3-pole
Protection class IEC	Safety class II
Glow-wire test	Temperature 650 °C, duration 30 s
Flammability mark	For mounting on normally flammable surfaces
CE mark	CE mark

ENEC mark	ENEC mark
Warranty period	5 years
Remarks	*-Per Lighting Europe guidance paper "Evaluating performance of LED based luminaires - January 2018": statistically there is no relevant difference in lumen maintenance between B50 and for example B10. Therefore the median useful life (B50) value also represents the B10 value.
Constant light output	Yes
Number of products on MCB of 16 A type 24 B	
RoHS mark	RoHS mark
Service tag	Yes
Unified glare rating CEN	22

CoreLine Panel

Operating and Electrical

Input Voltage	220 to 240 V
Input Frequency	50 to 60 Hz
Average CLO power consumption	33 W
Inrush current	6 A
Inrush time	0.3 ms
Power Factor (Min)	0.9

Controls and Dimming

Dimmable	No
----------	----

Mechanical and Housing

Housing Material	Aluminum
Reflector material	-
Optic material	Polymethyl methacrylate
Optical cover/lens material	Polymethyl methacrylate
Fixation material	Aluminum
Optical cover/lens finish	Opal
Overall length	597 mm
Overall width	597 mm
Overall height	32 mm
Color	White
Dimensions (Height x Width x Depth)	32 x 597 x 597 mm (1.3 x 23.5 x 23.5 in)

Approval and Application

Ingress protection code	IP20/44 [Finger-protected; wire-protected, splash-proof]
Mech. impact protection code	IK03 [0.3 J]

Initial Performance (IEC Compliant)

Initial luminous flux (system flux)	3600 lm
Luminous flux tolerance	+/-10%

Initial LED luminaire efficacy	110 lm/W
Init. Corr. Color Temperature	4000 K
Init. Color Rendering Index	≥80
Initial chromaticity	(0.38, 0.38) SDCM <3
Initial input power	33 W
Power consumption tolerance	+/-10%

Over Time Performance (IEC Compliant)

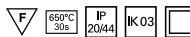
Control gear failure rate at median useful life 50000 h	5 %
Lumen maintenance at median useful life* 50000 h	L75

Application Conditions

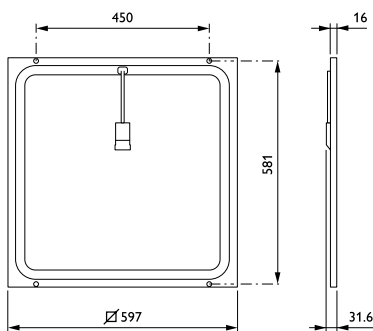
Ambient temperature range	+10 to +40 °C
Performance ambient temperature Tq	25 °C
Maximum dim level	Not applicable
Suitable for random switching	Not applicable

Product Data

Full product code	871869938095300
Order product name	RC132V LED36S/840 PSU W60L60 NOC
EAN/UPC - Product	8718699380953
Order code	910503910307
Numerator - Quantity Per Pack	1
Numerator - Packs per outer box	1
Material Nr. (12NC)	910503910307
Net Weight (Piece)	2.850 kg



Dimensional drawing



CoreLine Panel RC132V/RC133V

