

22MM PLASTIC ROUND ACTUATOR: SELECTOR SWITCH  
3 SWITCH POSITIONS I-O-II LATCHING NON-ILLUMINATED WITH HOLDER BLACK



**Actuato/ signaling device:**

<b>Design of the product</b>		Single device round
<b>Design of the operating mechanism</b>		selector switch
<b>Functionality / of the actuator</b>		Latching
<b>Type of unlocking device</b>		rotate-to-unlatch mechanism
<b>Color / of the activation element</b>		black
<b>Material / of the activation element</b>		plastic
<b>Number of switching positions</b>		3
<b>Actuating angle</b>		
• clockwise	°	50
• anticlockwise	°	50
<b>Product component / front ring</b>		Yes
<b>Material / of the front ring</b>		plastic
<b>Color / of the front ring</b>		black
<b>Design of the front ring</b>		Standard
<b>Product function / EMERGENCY STOP function</b>		No

**Holder:**

<b>Material / of the holder</b>		Plastic
---------------------------------	--	---------

**General technical details:**

<b>Resistance against shock</b> • for devices without incandescent lamp / according to IEC 60068-2-27		<= 50g
<b>Resistance against vibration / according to IEC 60068-2-6</b>		20 ... 200 Hz: 5g
<b>Operating cycles / maximum</b>	1/h	1,000
<b>Mechanical operating cycles as operating time / typical</b>		300,000
<b>Item designation</b> • according to DIN EN 61346-2 • according to DIN 40719 extendable after IEC 204-2 / according to IEC 750		S S
<b>Tightening torque / of the screws in the bracket / maximum</b>	N·m	1
<b>Ambient temperature</b> • during operating • during storage	°C °C	-25 ... +70 -40 ... +80
<b>Protection class IP</b>		IP66
<b>climatic class / during the operating phase / according to EN 60721</b>		3K6
<b>Type of mounting</b>		front mounting
<b>Shape / of the installation hole</b>		round
<b>Installation width</b>	mm	28.5
<b>Mounting diameter</b>	mm	22
<b>Mounting height</b>	mm	24
<b>Mounting depth</b>	mm	29

#### Certificates/ approvals:

##### General Product Approval



[Special Test Certificate](#)

##### Shipping Approval



##### other

[Confirmation](#)

[other](#)

[Environmental Confirmations](#)

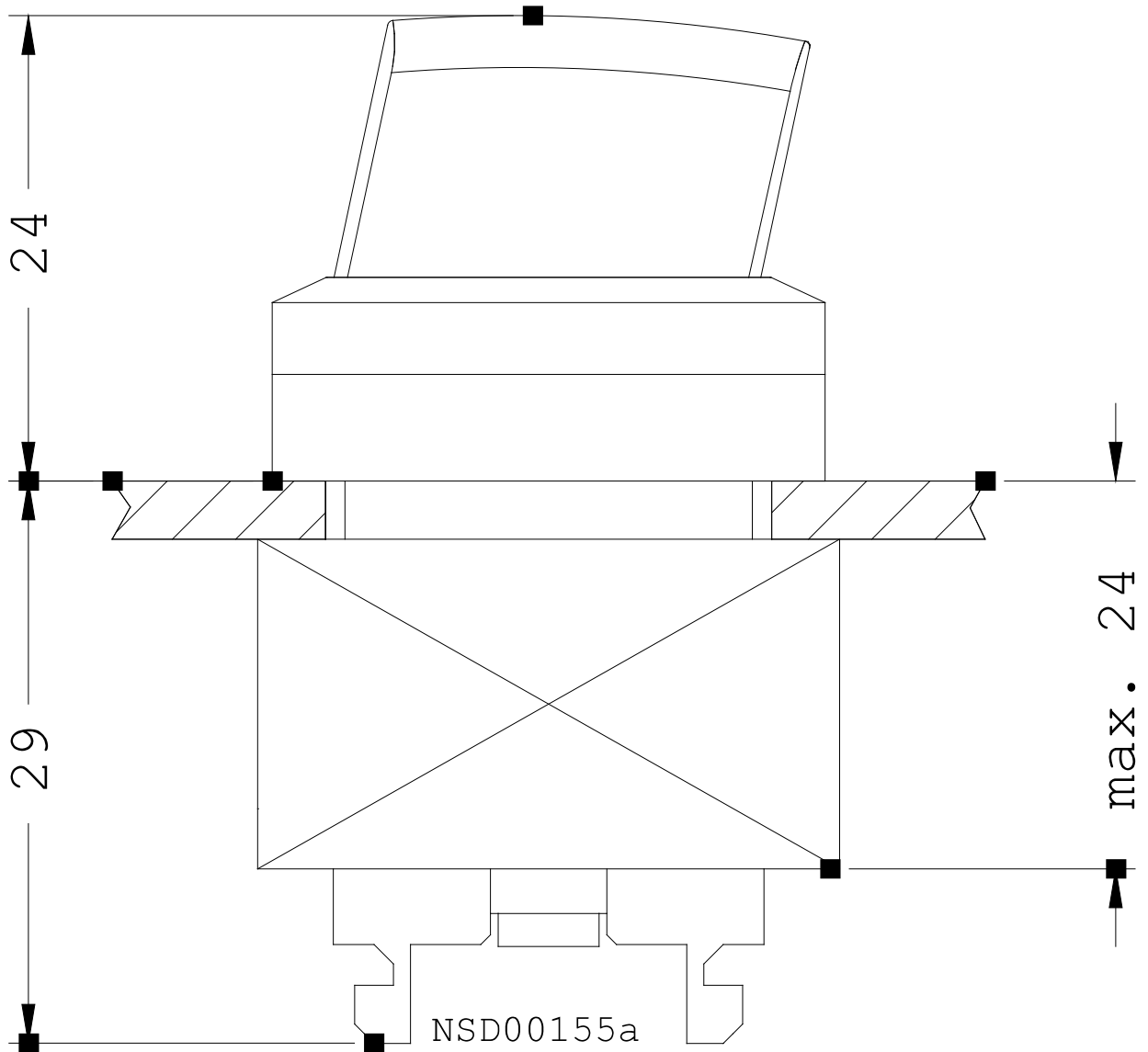
#### Further information:

##### Information- and Downloadcenter (Catalogs, Brochures,...)

<http://www.siemens.com/industrial-controls/catalogs>

##### Industry Mall (Online ordering system)

<http://www.siemens.com/industrial-controls/mall>



last change:

Jan 15, 2014