



ACTUATOR HEAD FOR POSITION SWITCH 3SE51/52  
 ROUNDED PLUNGER,  
 FORM B STAINLESS STEEL,  
 WITH 3MM OVERTRAVEL, ACC. TO EN50041

General technical details:		
<b>product designation</b>		actuator head for position switch
<b>Explosion protection category for dust</b>		none
<b>Mechanical operating cycles as operating time</b> • typical		15,000,000
<b>Resistance against vibration</b>		0.35 mm / 5g
<b>Resistance against shock</b>		30g / 11 ms
<b>Ambient temperature</b> • during operating • during storage	°C	-25 ... +85 °C -40 ... +90
<b>Material / of the enclosure</b> • of the switch head		metal
<b>Design of the operating mechanism</b>		stainless steel plunger
<b>Minimum actuating force / in activation direction</b>	N	20
<b>mounting position</b>		any
<b>Item designation</b> • according to DIN 40719 extendable after IEC 204-2 / according to IEC 750 • according to DIN EN 61346-2		E T

**Certificates/approvals:**

General Product Approval

Declaration of  
Conformity

Test Certificates



[Special Test Certificate](#)

other

[Confirmation](#)

[Vibration Test Certificates](#)

Further information:

Information- and Downloadcenter (Catalogs, Brochures,...)

<http://www.siemens.com/industrial-controls/catalogs>

Industry Mall (Online ordering system)

<http://www.siemens.com/industrial-controls/mall>

CAX-Online-Generator

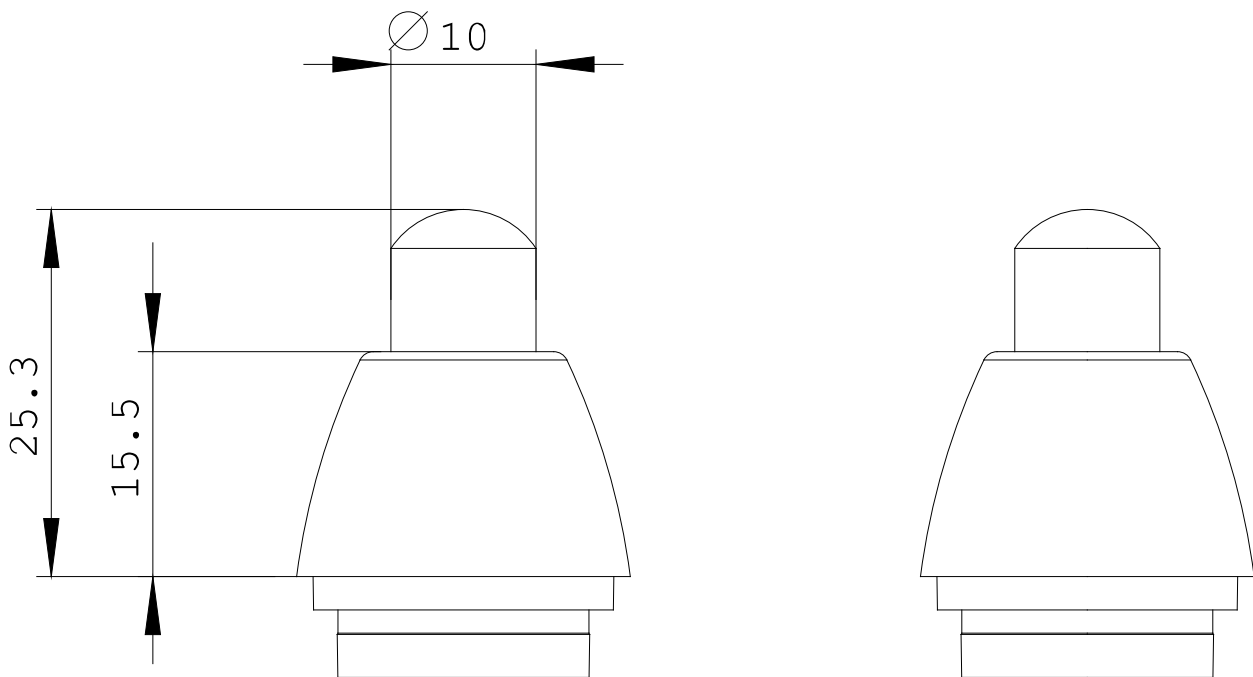
<http://www.siemens.com/cax>

Service&Support (Manuals, Certificates, Characteristics, FAQs,...)

<http://support.automation.siemens.com/WWW/view/en/3SE5000-0AC02/all>

Image database (product images, 2D dimension drawings, 3D models, device circuit diagrams, ...)

[http://www.automation.siemens.com/bilddb/cax\\_en.aspx?mlfb=3SE5000-0AC02](http://www.automation.siemens.com/bilddb/cax_en.aspx?mlfb=3SE5000-0AC02)



last change:

Jul 1, 2013