



ACTUATOR HEAD FOR POSITION SWITCH 3SE51/52
 ROLLER PLUNGER,
 FORM C,
 WITH STAINLESS STEEL ROLLER 13 MM,
 TO EN 50041, WITH 3MM OVERTRAVEL

General technical details:		
product designation		actuator head for position switch
Explosion protection category for dust		none
Mechanical operating cycles as operating time • typical		15,000,000
Resistance against vibration		0.35 mm / 5g
Resistance against shock		30g / 11 ms
Ambient temperature • during operating • during storage	°C	-25 ... +85 -40 ... +90
Material / of the enclosure • of the switch head		metal
Design of the operating mechanism		stainless steel roller
Minimum actuating force / in activation direction	N	20
mounting position		any
Item designation • according to DIN 40719 extendable after IEC 204-2 / according to IEC 750 • according to DIN EN 61346-2		E T

Certificates/approvals:

General Product Approval

Declaration of
Conformity

Test Certificates



[Special Test Certificate](#)

other

[Confirmation](#)

[Vibration Test Certificates](#)

Further information:

Information- and Downloadcenter (Catalogs, Brochures,...)

<http://www.siemens.com/industrial-controls/catalogs>

Industry Mall (Online ordering system)

<http://www.siemens.com/industrial-controls/mall>

CAx-Online-Generator

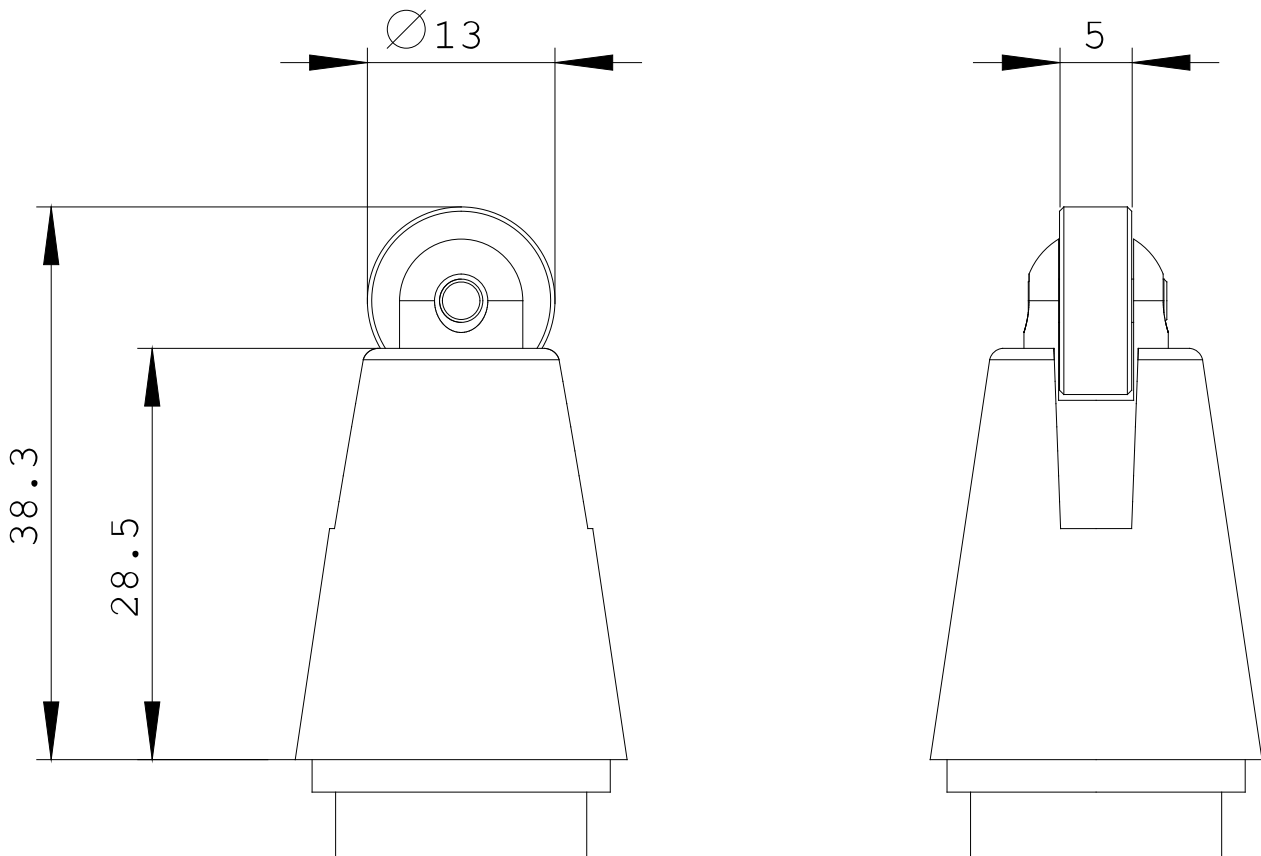
<http://www.siemens.com/cax>

Service&Support (Manuals, Certificates, Characteristics, FAQs,...)

<http://support.automation.siemens.com/WWW/view/en/3SE5000-0AD02/all>

Image database (product images, 2D dimension drawings, 3D models, device circuit diagrams, ...)

http://www.automation.siemens.com/bilddb/cax_en.aspx?mlfb=3SE5000-0AD02



last change:

Jul 1, 2013