



BASIC SWITCH FOR POSITION SWITCH 3SE51,  
METAL ENCLOSURE,  
TO EN50041 1X(M20X1.5) 1NO/1NC SLOW-ACTION  
CONTACTS W/O ACTUATOR HEAD

<b>Manufacturer article number</b>		
<ul style="list-style-type: none"> <li>of the basic unit included in the scope of supply</li> </ul>		<a href="#">3SE5112-0BA00</a>

General technical details:		
<b>product designation</b>		basic switch for standard position switches
<b>Explosion protection category for dust</b>		none
<b>Insulation voltage</b>		
<ul style="list-style-type: none"> <li>rated value</li> </ul>	V	400
<b>Degree of pollution</b>		class 3
<b>Thermal current</b>	A	6
<b>Operating current</b>		
<ul style="list-style-type: none"> <li>at AC-15                             <ul style="list-style-type: none"> <li>at 24 V / rated value</li> <li>at 125 V / rated value</li> <li>at 230 V / rated value</li> </ul> </li> <li>at DC-13                             <ul style="list-style-type: none"> <li>at 24 V / rated value</li> <li>at 125 V / rated value</li> <li>at 230 V / rated value</li> </ul> </li> </ul>	A	6
	A	6
	A	3
	A	3
	A	0.55
	A	0.27
<b>Continuous current</b>		
<ul style="list-style-type: none"> <li>of the slow DIAZED fuse link</li> </ul>	A	6

<ul style="list-style-type: none"> <li>• of the quick DIAZED fuse link</li> </ul>	A	10
<ul style="list-style-type: none"> <li>• of the C characteristic circuit breaker</li> </ul>	A	1
<b>Mechanical operating cycles as operating time</b>		
<ul style="list-style-type: none"> <li>• typical</li> </ul>		15,000,000
<b>Electrical operating cycles as operating time</b>		
<ul style="list-style-type: none"> <li>• with contactor 3RH11, 3RT1016, 3RT1017, 3RT1024, 3RT1025, 3RT1026 / typical</li> </ul>		10,000,000
<ul style="list-style-type: none"> <li>• at AC-15 / at 230 V / typical</li> </ul>		100,000
<b>Electrical operating cycles in one hour</b>		
<ul style="list-style-type: none"> <li>• with contactor 3RH11, 3RT1016, 3RT1017, 3RT1024, 3RT1025, 3RT1026</li> </ul>		6,000
<b>Repeat accuracy</b>	mm	0.05
<b>Design of the contact element</b>		slow-action contacts
<b>Number of NC contacts</b>		
<ul style="list-style-type: none"> <li>• for auxiliary contacts</li> </ul>		1
<b>Design of the switching function</b>		Positive opening with appropriate positive opening actuator head
<b>Number of NO contacts</b>		
<ul style="list-style-type: none"> <li>• for auxiliary contacts</li> </ul>		1
<b>Resistance against vibration</b>		0.35 mm / 5g
<b>Resistance against shock</b>		30g / 11 ms
<b>Ambient temperature</b>		
<ul style="list-style-type: none"> <li>• during operating</li> </ul>	°C	-25 ... +85
<ul style="list-style-type: none"> <li>• during storage</li> </ul>	°C	-40 ... +90
<b>Product specification</b>		
<ul style="list-style-type: none"> <li>• for dimensions</li> </ul>		EN 50041
<b>Width of the sensor</b>	mm	40
<b>Material</b>		
<ul style="list-style-type: none"> <li>• of the enclosure</li> </ul>		metal
<b>Design of the operating mechanism</b>		without
<b>Actuating speed</b>	mm/s / m/s	0.4 ... 2.5
<b>Minimum actuating force / in activation direction</b>	N	20
<b>Protection class IP</b>		IP66/IP67
<b>mounting position</b>		any
<b>Cable gland version</b>		1x (M20 x 1.5)
<b>Design of the electrical connection</b>		screw-type terminals
<b>Item designation</b>		
<ul style="list-style-type: none"> <li>• according to DIN 40719 extendable after IEC 204-2</li> </ul>		S
<ul style="list-style-type: none"> <li>• according to DIN EN 61346-2</li> </ul>		B

#### Certificates/approvals:

**General Product Approval****Functional Safety /  
Safety of  
Machinery**

CCC



CSA



GOST



UL



VDE

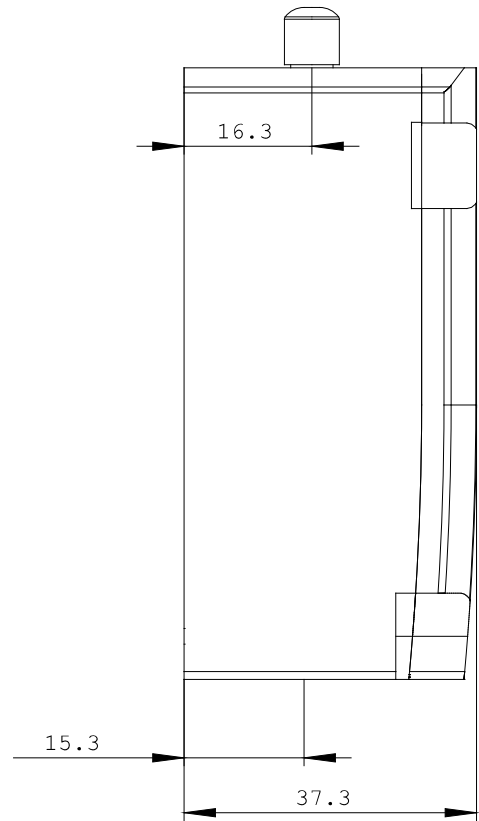
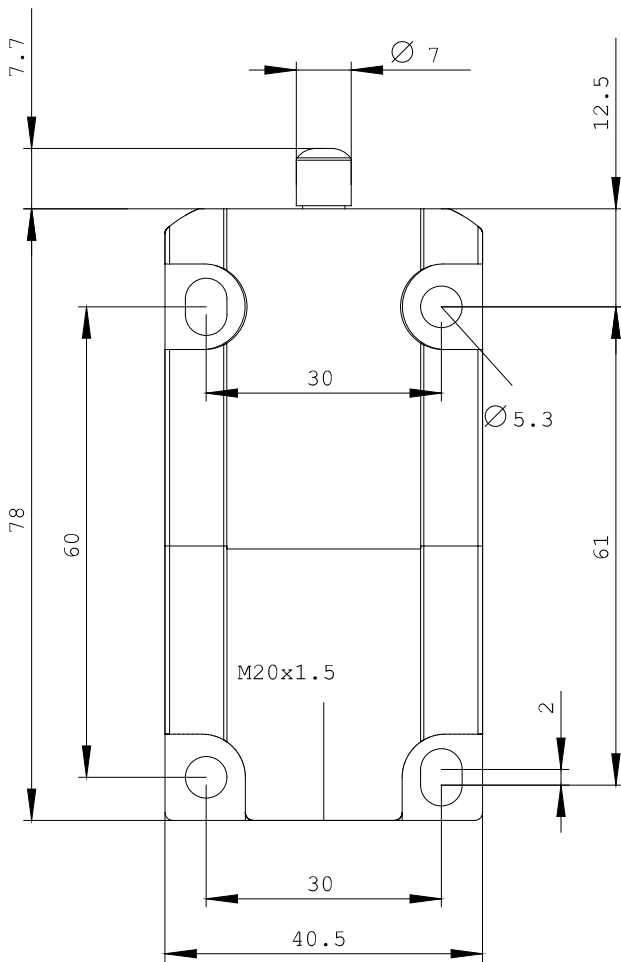


VDE

**Declaration of  
Conformity**

EG-Konf.

**Test Certificates**[Special Test  
Certificate](#)**other**[Confirmation](#)**Further information:****Information- and Downloadcenter (Catalogs, Brochures,...)**<http://www.siemens.com/industrial-controls/catalogs>**Industry Mall (Online ordering system)**<http://www.siemens.com/industrial-controls/mall>**CAX-Online-Generator**<http://www.siemens.com/cax>**Service&Support (Manuals, Certificates, Characteristics, FAQs,...)**<http://support.automation.siemens.com/WWW/view/en/3SE5112-0BA00/all>**Image database (product images, 2D dimension drawings, 3D models, device circuit diagrams, ...)**[http://www.automation.siemens.com/bilddb/cax\\_en.aspx?mlfb=3SE5112-0BA00](http://www.automation.siemens.com/bilddb/cax_en.aspx?mlfb=3SE5112-0BA00)



last change:

Jul 24, 2013