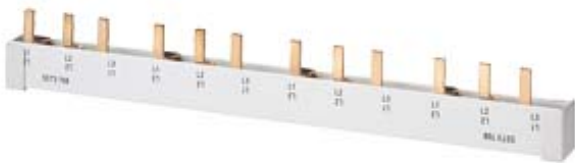


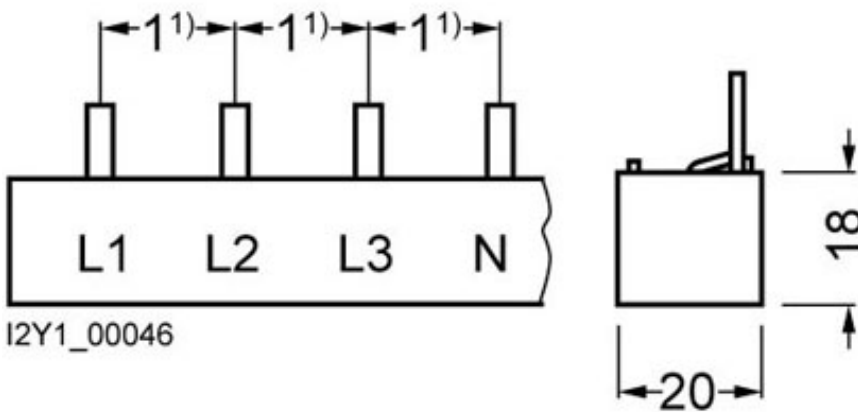
Pin busbar touch-safe, 16 mm<sup>2</sup> 4-phase, 1016 mm long can be cut, without end caps



Model	
Product brand name	SENTRON
General technical data	
Phase number	4
Cross-section	16 mm <sup>2</sup>
Current	
Continuous current / rated value	80 A
Product details	
Product feature / insulated	Yes
Connections	
Type of electrical connection	Pin
Mechanical Design	
Width	21.4 mm
Length	1 016 mm
Net weight	813.44 g
Certificates	



EG-Konf.

[Miscellaneous](#)**Further information****Information- and Downloadcenter (Catalogs, Brochures,...)**<http://www.siemens.com/lowvoltage/catalogs>**Industry Mall (Online ordering system)**<https://mall.industry.siemens.com/mall/en/en/Catalog/product?mlfb=5ST3716>**Service&Support (Manuals, Certificates, Characteristics, FAQs,...)**<https://support.industry.siemens.com/cs/ww/en/ps/5ST3716>**Image database (product images, 2D dimension drawings, 3D models, device circuit diagrams, ...)**[http://www.automation.siemens.com/bilddb/cax\\_en.aspx?mlfb=5ST3716](http://www.automation.siemens.com/bilddb/cax_en.aspx?mlfb=5ST3716)**CAX-Online-Generator**<http://www.siemens.com/cax>**Tender specifications**<http://www.siemens.com/specifications>

<sup>1)</sup> Pin spacings in MW (Modular widths, 1 MW = 18 mm).

