



ACTUATOR-/INDICATOR COMPONENT WITH INTEGRATED LED 24V AC/DC LAMP HOLDER SCREW TERMINAL RED

| Contact block/ lampholder: | |
|--|----------------------|
| Product designation | lampholder |
| Number of NC contacts / for auxiliary contacts | 0 |
| Number of NO contacts / for auxiliary contacts | 0 |
| Number of changeover contacts / for auxiliary contacts | 0 |
| Product function / positive opening | No |
| Number of lampholders | 1 |
| Execution of the mounting | integrated |
| Nature of fluorescent material | LED |
| Color / of the fluorescent material | red |
| Design of the electrical connection | screw-type terminals |

| General technical details: | | | | | | | |
|--|--|---|----|---|----|---|----|
| Degree of pollution | class 3 | | | | | | |
| Type of voltage / of the supply voltage / of the fluorescent material | AC/DC | | | | | | |
| Supply voltage / 1 / of the fluorescent material | | | | | | | |
| <ul style="list-style-type: none"> • at 60 Hz / for AC / rated value • at 50 Hz / for AC / rated value • for DC / rated value | <table style="width: 100%; border-collapse: collapse;"> <tr> <td style="text-align: center; width: 10%;">V</td> <td style="text-align: center; width: 10%;">24</td> </tr> <tr> <td style="text-align: center;">V</td> <td style="text-align: center;">24</td> </tr> <tr> <td style="text-align: center;">V</td> <td style="text-align: center;">24</td> </tr> </table> | V | 24 | V | 24 | V | 24 |
| V | 24 | | | | | | |
| V | 24 | | | | | | |
| V | 24 | | | | | | |
| Type of voltage / of the operating voltage | AC/DC | | | | | | |

| | | |
|---|------------------|---|
| Item designation | | |
| <ul style="list-style-type: none"> • according to DIN EN 61346-2 • according to DIN 40719 extendable after IEC 204-2 / according to IEC 750 | | P H |
| Ambient temperature | | |
| <ul style="list-style-type: none"> • during operating • during storage | °C °C | -25 ... +70 -25 ... +80 |
| protection type IP | | |
| <ul style="list-style-type: none"> • of the terminal • of the enclosure | | IP20 IP40 |
| Operating voltage / 1 / at 50 Hz / for AC / rated value | V | 24 |
| Operating voltage / 1 / at 60 Hz / for AC / rated value | V | 24 |
| Operating voltage | | |
| <ul style="list-style-type: none"> • 1 / for DC / rated value • at 50 Hz / at AC / rated value • at 60 Hz / at AC / rated value • for DC • rated value | V V V V | 24 21.6 ... 26.4 21.6 ... 26.4 21.6 ... 26.4 |
| Suitability for integration | | |
| <ul style="list-style-type: none"> • pressure selection button • front element • suspension switch • suspension pushbutton | | front element Yes Yes Yes Yes |
| Insulation voltage / rated value | V | 250 |
| Impulse voltage resistance / rated value | kV | 4 |
| Tightening torque / for auxiliary contacts / with screw-type terminals | N·m | 0.8 |
| Product component | | |
| <ul style="list-style-type: none"> • fluorescent materials • diode • lamp transformer • series resistance | | Yes Yes No No |
| Type of mounting | | front mounting |

Connections:

Type of the connectable conductor cross-section

| | | |
|---|--|--|
| <ul style="list-style-type: none"> • for auxiliary contacts / solid • for auxiliary contacts / solid / with conductor end processing • for auxiliary contacts / finely stranded / with conductor end processing • for AWG conductors / for auxiliary contacts | | 2x (1 ... 1.5 mm ²) 2x (0.5 ... 0.75 mm ²) 2x (0.5 ... 1.5 mm ²) 2x (18 ... 14) |
|---|--|--|

Certificates/approvals:

General Product Approval



CCC



CSA



EG-Konf.

Declaration of Conformity

Test Certificates

[Special Test Certificate](#)

other

[Confirmation](#)

[Environmental Confirmations](#)

Further information:

Information- and Downloadcenter (Catalogs, Brochures,...)

<http://www.siemens.com/industrial-controls/catalogs>

Industry Mall (Online ordering system)

<http://www.siemens.com/industrial-controls/mall>

Cax online generator

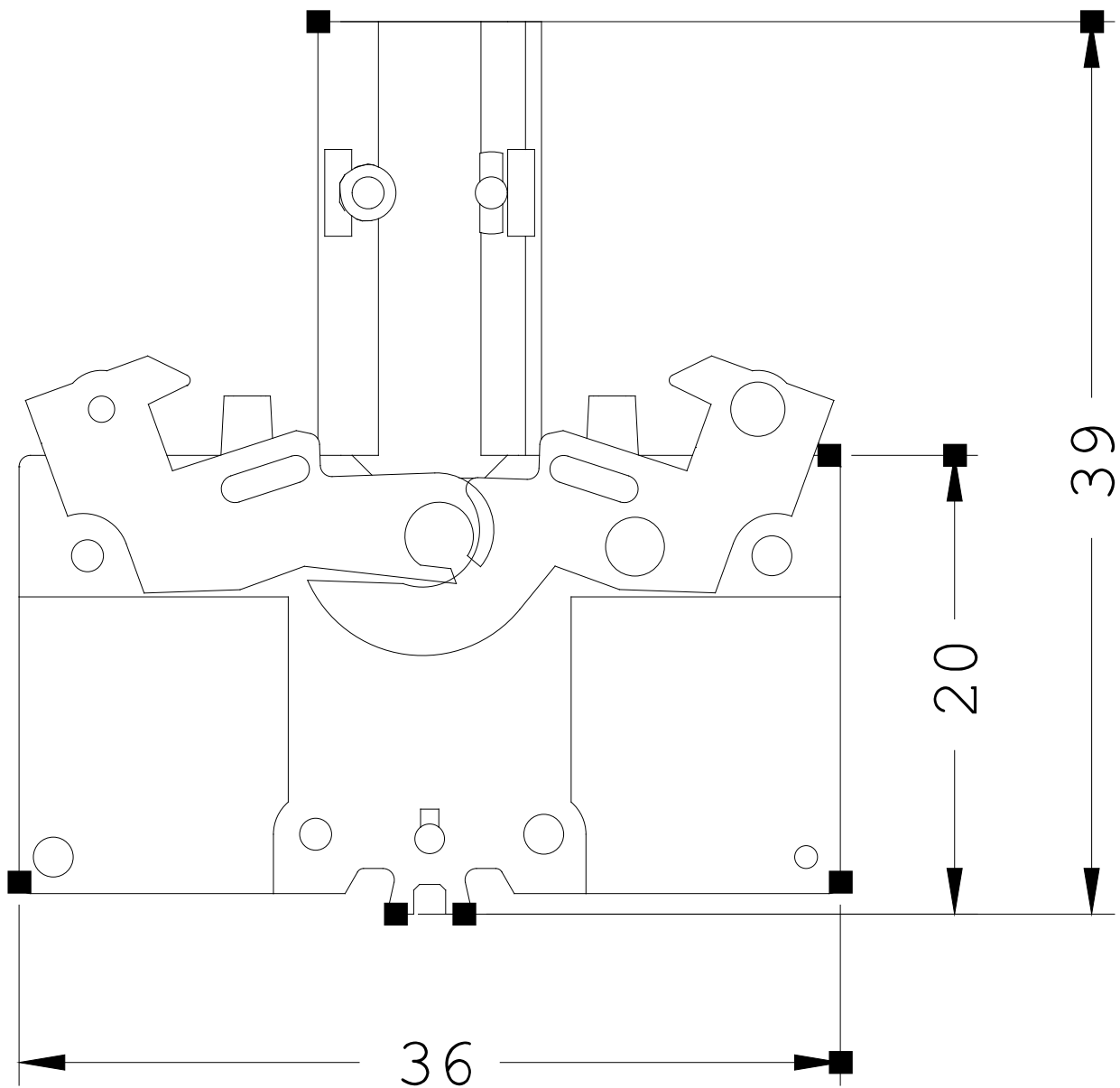
<http://www.siemens.com/cax>

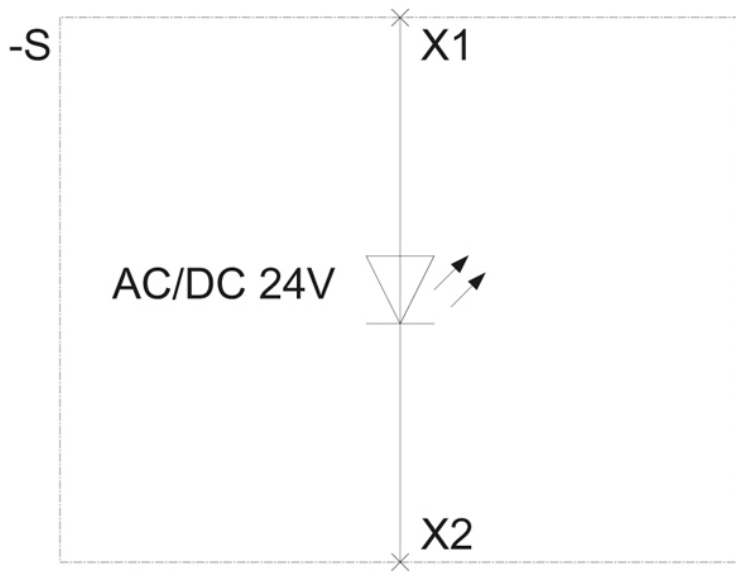
Service&Support (Manuals, Certificates, Characteristics, FAQs,...)

<http://support.automation.siemens.com/WWW/view/en/3SB3400-1PB/all>

Image database (product images, 2D dimension drawings, 3D models, device circuit diagrams, ...)

http://www.automation.siemens.com/bilddb/cax_en.aspx?mlfb=3SB3400-1PB





last change:

Dec 30, 2013