



ACTUATOR-/INDICATOR COMPONENT WITH INTEGRATED LED 24V AC/DC LAMP HOLDER SCREW TERMINAL GREEN

Contact block/ lampholder:	
Product designation	lampholder
Number of NC contacts / for auxiliary contacts	0
Number of NO contacts / for auxiliary contacts	0
Number of changeover contacts / for auxiliary contacts	0
Product function / positive opening	No
Number of lampholders	1
Execution of the mounting	integrated
Nature of fluorescent material	LED
Color / of the fluorescent material	green
Design of the electrical connection	screw-type terminals

General technical details:							
Degree of pollution	class 3						
Type of voltage / of the supply voltage / of the fluorescent material	AC/DC						
Supply voltage / 1 / of the fluorescent material							
<ul style="list-style-type: none"> <li>• at 60 Hz / for AC / rated value</li> <li>• at 50 Hz / for AC / rated value</li> <li>• for DC / rated value</li> </ul>	<table style="width: 100%; border: none;"> <tr> <td style="text-align: center; width: 10%;">V</td> <td style="text-align: center; width: 10%;">24</td> </tr> <tr> <td style="text-align: center;">V</td> <td style="text-align: center;">24</td> </tr> <tr> <td style="text-align: center;">V</td> <td style="text-align: center;">24</td> </tr> </table>	V	24	V	24	V	24
V	24						
V	24						
V	24						
Type of voltage / of the operating voltage	AC/DC						

<b>Item designation</b>		
<ul style="list-style-type: none"> <li>• according to DIN EN 61346-2</li> <li>• according to DIN 40719 extendable after IEC 204-2 / according to IEC 750</li> </ul>		P H
<b>Ambient temperature</b>		
<ul style="list-style-type: none"> <li>• during operating</li> <li>• during storage</li> </ul>	°C °C	-25 ... +70 -25 ... +80
<b>protection type IP</b>		
<ul style="list-style-type: none"> <li>• of the terminal</li> <li>• of the enclosure</li> </ul>		IP20 IP40
<b>Operating voltage / 1 / at 50 Hz / for AC / rated value</b>	V	24
<b>Operating voltage / 1 / at 60 Hz / for AC / rated value</b>	V	24
<b>Operating voltage</b>		
<ul style="list-style-type: none"> <li>• 1 / for DC / rated value</li> <li>• at 50 Hz / at AC / rated value</li> <li>• at 60 Hz / at AC / rated value</li> <li>• for DC</li> <li>• rated value</li> </ul>	V V V V	24 21.6 ... 26.4 21.6 ... 26.4 21.6 ... 26.4
<b>Suitability for integration</b>		
<ul style="list-style-type: none"> <li>• pressure selection button</li> <li>• front element</li> <li>• suspension switch</li> <li>• suspension pushbutton</li> </ul>		front element Yes Yes Yes Yes
<b>Insulation voltage / rated value</b>	V	250
<b>Impulse voltage resistance / rated value</b>	kV	4
<b>Tightening torque / for auxiliary contacts / with screw-type terminals</b>	N·m	0.8
<b>Product component</b>		
<ul style="list-style-type: none"> <li>• fluorescent materials</li> <li>• diode</li> <li>• lamp transformer</li> <li>• series resistance</li> </ul>		Yes Yes No No
<b>Type of mounting</b>		front mounting

### Connections:

#### Type of the connectable conductor cross-section

<ul style="list-style-type: none"> <li>• for auxiliary contacts / solid</li> <li>• for auxiliary contacts / solid / with conductor end processing</li> <li>• for auxiliary contacts / finely stranded / with conductor end processing</li> <li>• for AWG conductors / for auxiliary contacts</li> </ul>		2x (1 ... 1.5 mm <sup>2</sup> ) 2x (0.5 ... 0.75 mm <sup>2</sup> ) 2x (0.5 ... 1.5 mm <sup>2</sup> ) 2x (18 ... 14)
---	--	--

## Certificates/approvals:

### General Product Approval



CCC



CSA



### Declaration of Conformity



EG-Konf.

### Test Certificates

[Special Test Certificate](#)

### other

[Confirmation](#)

[Environmental Confirmations](#)

## Further information:

### Information- and Downloadcenter (Catalogs, Brochures,...)

<http://www.siemens.com/industrial-controls/catalogs>

### Industry Mall (Online ordering system)

<http://www.siemens.com/industrial-controls/mall>

### Cax online generator

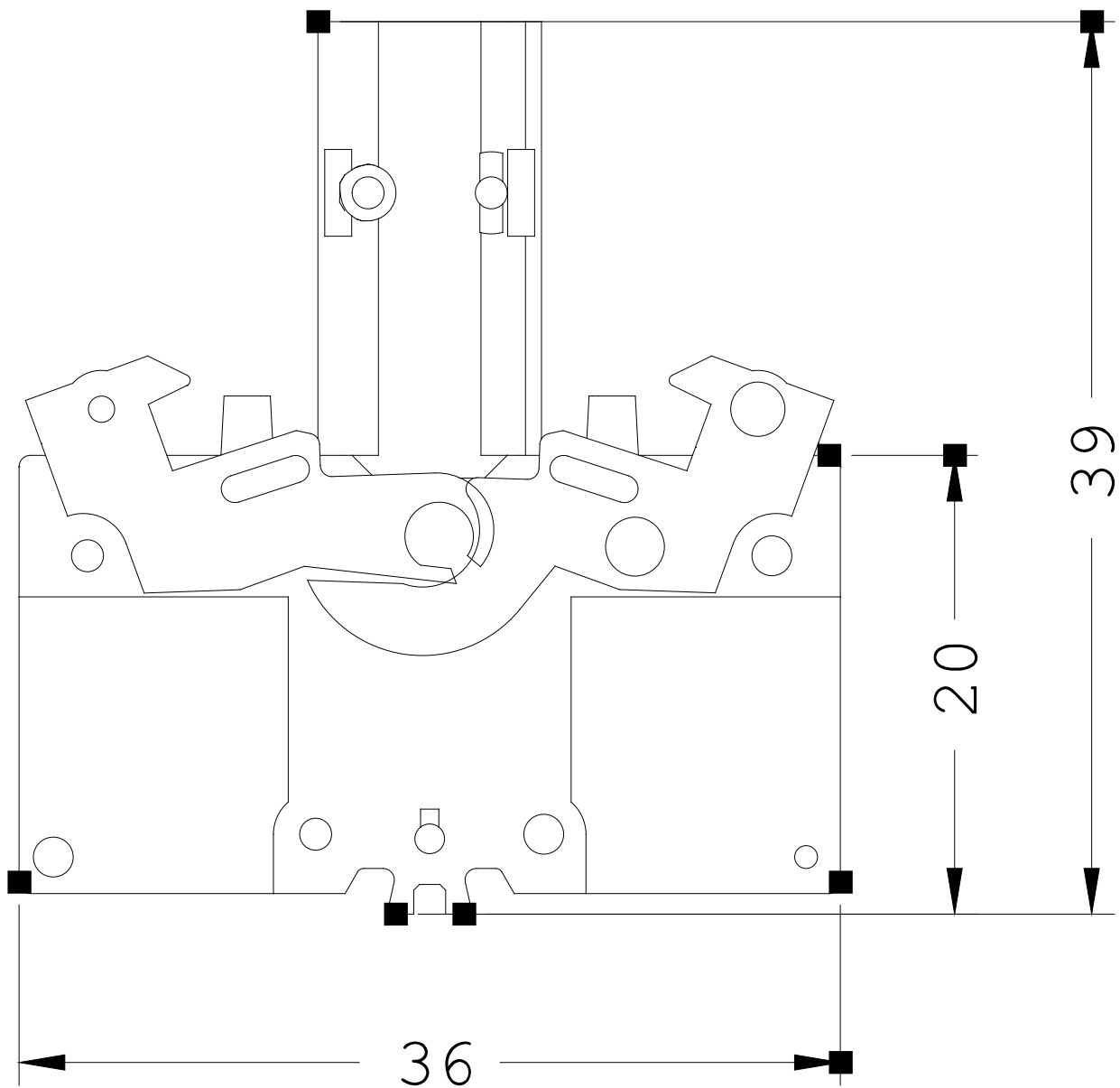
<http://www.siemens.com/cax>

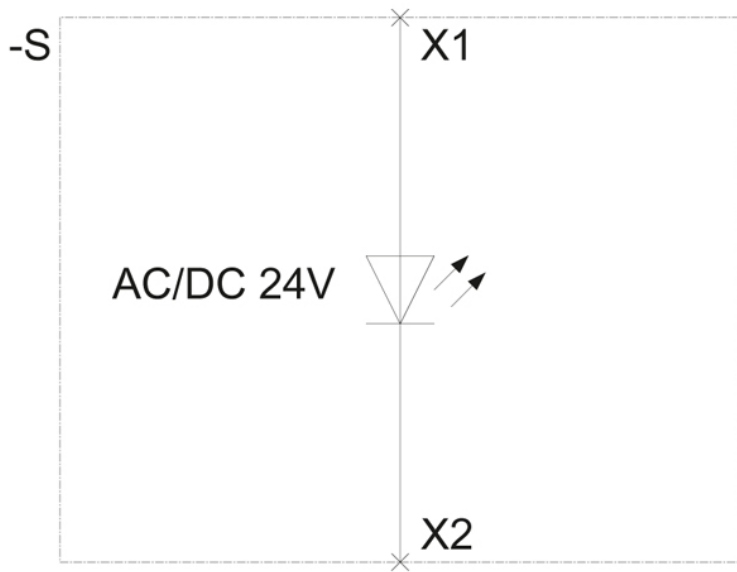
### Service&Support (Manuals, Certificates, Characteristics, FAQs,...)

<http://support.automation.siemens.com/WWW/view/en/3SB3400-1PC/all>

### Image database (product images, 2D dimension drawings, 3D models, device circuit diagrams, ...)

[http://www.automation.siemens.com/bilddb/cax\\_en.aspx?mlfb=3SB3400-1PC](http://www.automation.siemens.com/bilddb/cax_en.aspx?mlfb=3SB3400-1PC)





last change:

Dec 30, 2013