



ACTUATOR-/INDICATOR COMPONENT WITH INTEGRATED LED 230V AC LAMP HOLDER SCREW TERMINAL GREEN

Contact block/ lampholder:		
Product designation		lampholder
Number of NC contacts / for auxiliary contacts		0
Number of NO contacts / for auxiliary contacts		0
Number of changeover contacts / for auxiliary contacts		0
Product function / positive opening		No
Number of lampholders		1
Execution of the mounting		integrated
Nature of fluorescent material		LED
Color / of the fluorescent material		green
Design of the electrical connection		screw-type terminals

General technical details:		
Degree of pollution		class 3
Type of voltage / of the supply voltage / of the fluorescent material		AC
Supply voltage / 1 / of the fluorescent material		
<ul style="list-style-type: none"> • at 60 Hz / for AC / rated value 	V	230
<ul style="list-style-type: none"> • at 50 Hz / for AC / rated value 	V	230
Type of voltage / of the operating voltage		AC
Item designation		

<ul style="list-style-type: none"> • according to DIN EN 61346-2 • according to DIN 40719 extendable after IEC 204-2 / according to IEC 750 		P H
Ambient temperature <ul style="list-style-type: none"> • during operating • during storage 	°C °C	-25 ... +70 -25 ... +80
protection type IP <ul style="list-style-type: none"> • of the terminal • of the enclosure 		IP20 IP40
Operating voltage / 1 / at 50 Hz / for AC / rated value	V	230
Operating voltage / 1 / at 60 Hz / for AC / rated value	V	230
Suitability for integration <ul style="list-style-type: none"> • pressure selection button • front element • suspension switch • suspension pushbutton 		front element Yes Yes Yes Yes
Insulation voltage / rated value	V	250
Impulse voltage resistance / rated value	kV	4
Tightening torque / for auxiliary contacts / with screw-type terminals	N·m	0.8
Product component <ul style="list-style-type: none"> • fluorescent materials • diode • lamp transformer • series resistance 		Yes Yes No No
Type of mounting		front mounting

Connections:

Type of the connectable conductor cross-section

- for auxiliary contacts / solid
- for auxiliary contacts / solid / with conductor end processing
- for auxiliary contacts / finely stranded / with conductor end processing
- for AWG conductors / for auxiliary contacts

2x (1 ... 1.5 mm²)
2x (0.5 ... 0.75 mm²)
2x (0.5 ... 1.5 mm²)
2x (18 ... 14)

Certificates/approvals:

General Product Approval**Declaration of
Conformity****Test Certificates**

CCC

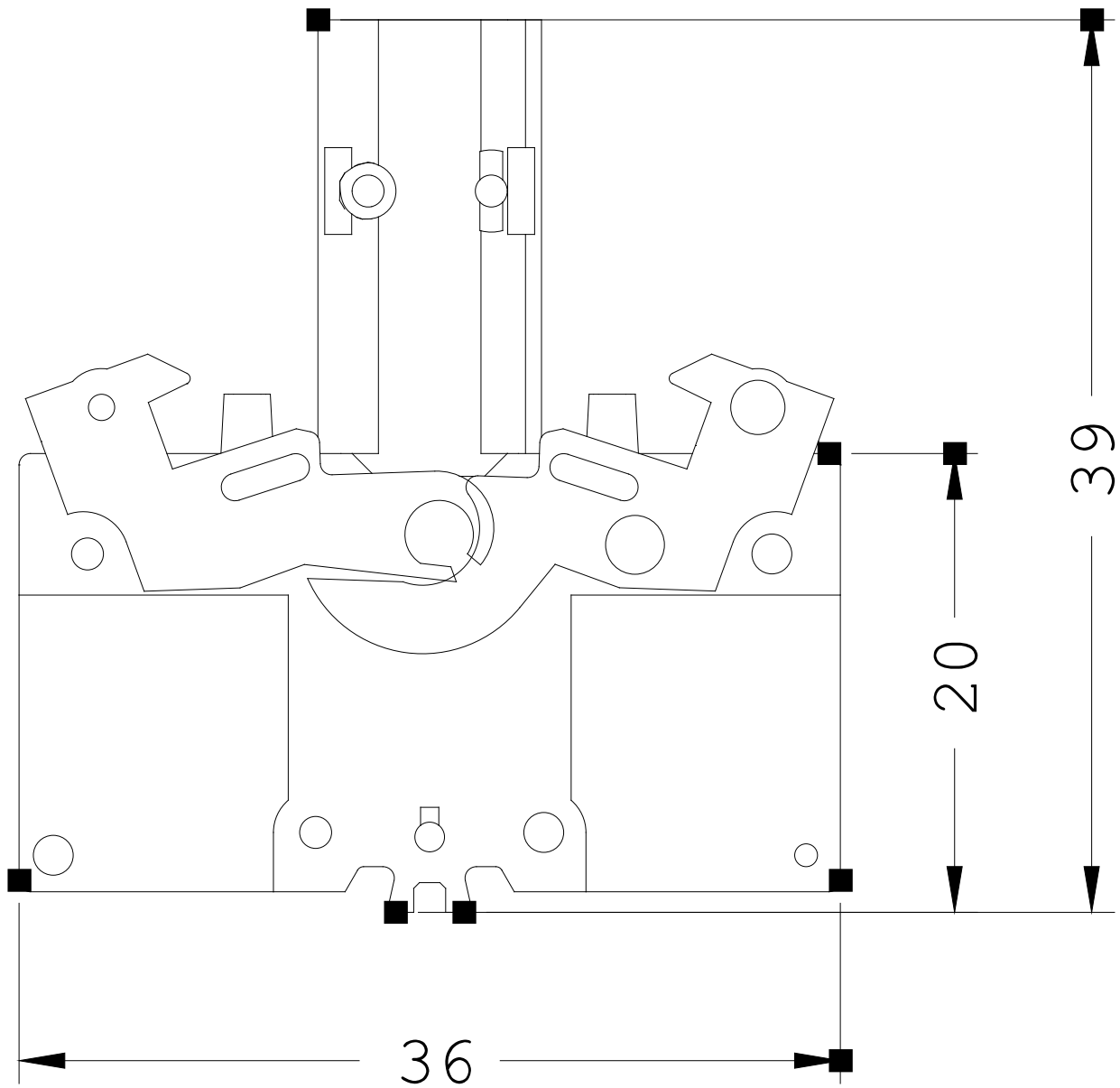


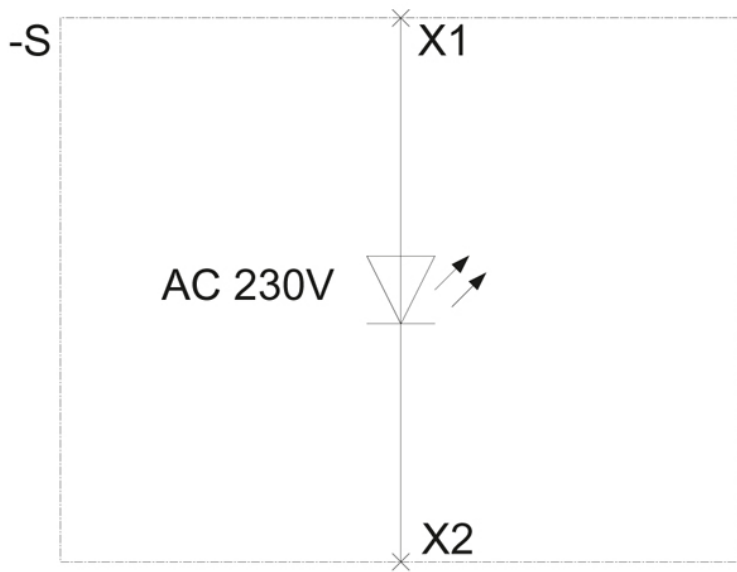
CSA



EG-Konf.

[Special Test
Certificate](#)**other**[Confirmation](#)[Environmental
Confirmations](#)**Further information:****Information- and Downloadcenter (Catalogs, Brochures,...)**<http://www.siemens.com/industrial-controls/catalogs>**Industry Mall (Online ordering system)**<http://www.siemens.com/industrial-controls/mall>**Cax online generator**<http://www.siemens.com/cax>**Service&Support (Manuals, Certificates, Characteristics, FAQs,...)**<http://support.automation.siemens.com/WWW/view/en/3SB3400-1RC/all>**Image database (product images, 2D dimension drawings, 3D models, device circuit diagrams, ...)**http://www.automation.siemens.com/bilddb/cax_en.aspx?mlfb=3SB3400-1RC





last change:

Dec 30, 2013