

Timing relay, electronic Multifunction 1 change-over contact, 7 functions 7 time ranges 0.05 s ... 100 h 12-240 V AC/DC with LED, Screw terminal



General technical data		
Product brand name		SIRIUS
Product designation		timing relay
Adjustable time	s	0.05 ... 360 000
Degree of pollution		2
Mounting position		any
Product function		No
<ul style="list-style-type: none"> <li>at the relay outputs Switchover delayed/without delay</li> </ul>		No
Product component semi-conductor output		No
Product extension		No
<ul style="list-style-type: none"> <li>optional remote control</li> <li>required remote control</li> </ul>		No
Installation altitude at height above sea level maximum	m	2 000
Ambient temperature		
<ul style="list-style-type: none"> <li>during storage</li> </ul>	°C	-40 ... +70
<ul style="list-style-type: none"> <li>during operation</li> </ul>	°C	-25 ... +55
<ul style="list-style-type: none"> <li>during transport</li> </ul>	°C	-40 ... +70

Relative humidity during operation	%	15 ... 85
Conducted interference due to burst acc. to IEC 61000-4-4		2 kV network connection / 1 kV control connection
Conducted interference due to conductor-earth surge acc. to IEC 61000-4-5		2 kV
Conducted interference due to conductor-conductor surge acc. to IEC 61000-4-5		1 kV
Electrostatic discharge acc. to IEC 61000-4-2		4 kV contact discharge / 8 kV air discharge
Field-bound parasitic coupling acc. to IEC 61000-4-3		10 V/m
Surge voltage resistance rated value	V	4 000
Power loss [W] total typical	W	2
Reference identifier acc. to DIN 40719 extended according to IEC 204-2 acc. to IEC 750		K
Reference identifier acc. to DIN EN 61346-2		K

### Switching Function

Switching function		
• passing make contact		Yes
• OFF delay		No
• ON-delay/instantaneous contact		No
• passing make contact/instantaneous contact		No
• ON-delay		Yes
• with control signal		
— passing break contact		Yes
— OFF delay		Yes
— passing break contact/instantaneous		No
— OFF delay/instantaneous		No
— additive ON delay		Yes
— ON-delay/OFF-delay/instantaneous		No
— ON-delay/OFF-delay		No
— pulse-shaping/instantaneous		No
— pulse-shaping		Yes

### Control circuit/ Control

Type of voltage of the control supply voltage		AC/DC
Control supply voltage frequency 1	Hz	50 ... 60
Control supply voltage 1		
• at AC		
— at 50 Hz	V	12 ... 240
— at 60 Hz	V	12 ... 240
• at DC	V	12 ... 240

### Auxiliary circuit

Operating current of auxiliary contacts		
• at AC-15		

— at 24 V	A	3
— at 250 V	A	3
• at DC-13		
— at 24 V	A	1
— at 125 V	A	0.22
— at 250 V	A	0.1
— maximum	A	1
<b>Number of NC contacts</b>		
• delayed switching		0
• instantaneous contact		0
<b>Number of NO contacts</b>		
• delayed switching		0
• instantaneous contact		0
<b>Number of CO contacts</b>		
• delayed switching		1
• instantaneous contact		0

#### Short-circuit protection

<b>Design of the fuse link for short-circuit protection of the auxiliary switch required</b>	fuse gL/gG: 4 A
--	-----------------

#### Installation/ mounting/ dimensions

<b>Mounting type</b>		snap-on fastening on 35 mm standard rail
<b>Width</b>	mm	17.5
<b>Height</b>	mm	90
<b>Depth</b>	mm	66.7
<b>Required spacing</b>		
• with side-by-side mounting		
— upwards	mm	0
— downwards	mm	0
— forwards	mm	0
— Backwards	mm	0
— at the side	mm	0
• for grounded parts		
— upwards	mm	0
— downwards	mm	0
— forwards	mm	0
— Backwards	mm	0
— at the side	mm	0
• for live parts		
— upwards	mm	0
— downwards	mm	0
— forwards	mm	0

- Backwards
- at the side

mm	0
mm	0

### Connections/Terminals

#### Type of electrical connection

- for auxiliary and control current circuit

screw-type terminals

### Certificates/approvals

General Product Approval	Declaration of Conformity	Test Certificates	other
--------------------------	---------------------------	-------------------	-------



CCC



UL



EG-Konf.

[Type Test Certificates/Test Report](#)

[Confirmation](#)

### Safety related data

Category acc. to EN 954-1

none

Protection against electrical shock

finger-safe

### Further information

**Information- and Downloadcenter (Catalogs, Brochures,...)**

<http://www.siemens.com/industrial-controls/catalogs>

**Industry Mall (Online ordering system)**

<https://mall.industry.siemens.com/mall/en/en/Catalog/product?mlfb=7PV1508-1AW30>

**Cax online generator**

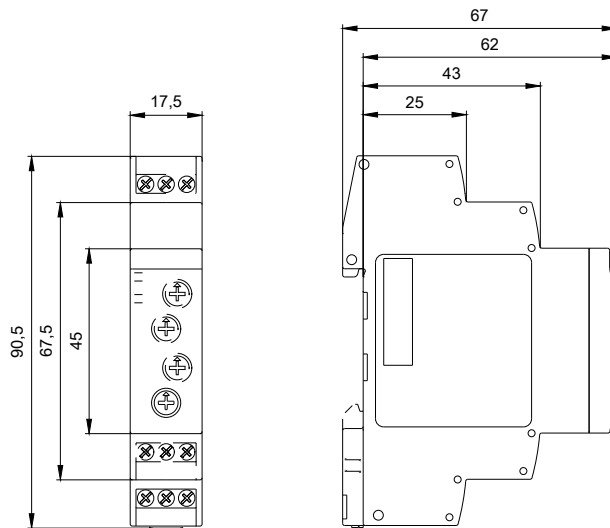
<http://support.automation.siemens.com/WW/CAXorder/default.aspx?lang=en&mlfb=7PV1508-1AW30>

**Service&Support (Manuals, Certificates, Characteristics, FAQs,...)**

<https://support.industry.siemens.com/cs/ww/en/ps/7PV1508-1AW30>

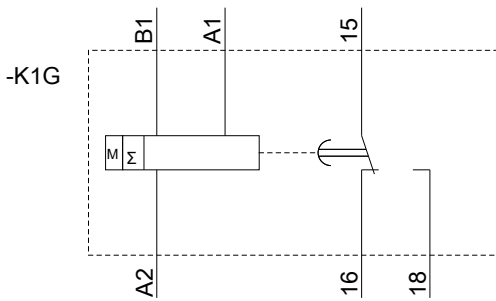
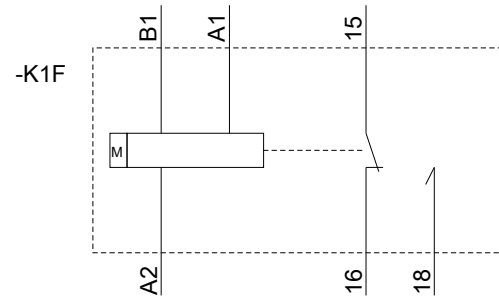
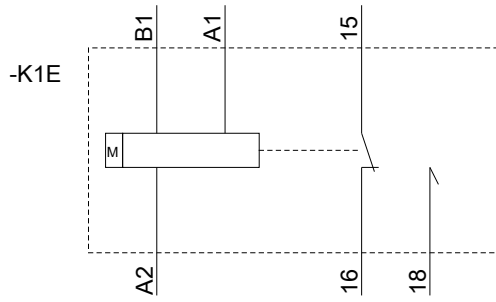
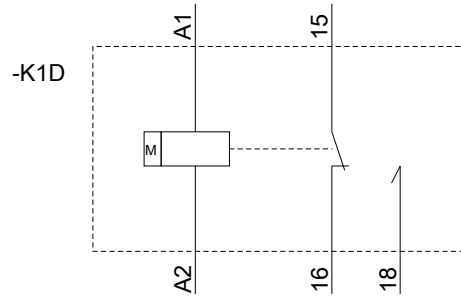
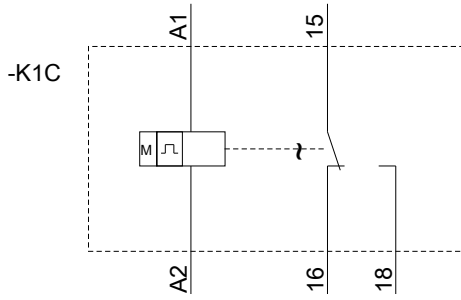
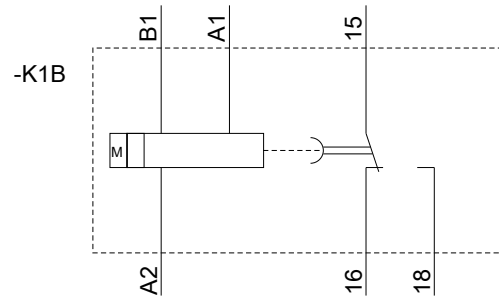
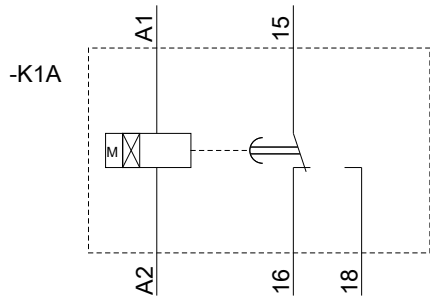
**Image database (product images, 2D dimension drawings, 3D models, device circuit diagrams, EPLAN macros, ...)**

[http://www.automation.siemens.com/bilddb/cax\\_de.aspx?mlfb=7PV1508-1AW30&lang=en](http://www.automation.siemens.com/bilddb/cax_de.aspx?mlfb=7PV1508-1AW30&lang=en)



Alle Bemessungswerte sind in Millimeter (mm) angegeben  
 All dimensions are in millimeters (mm)





last modified:

10/13/2018